

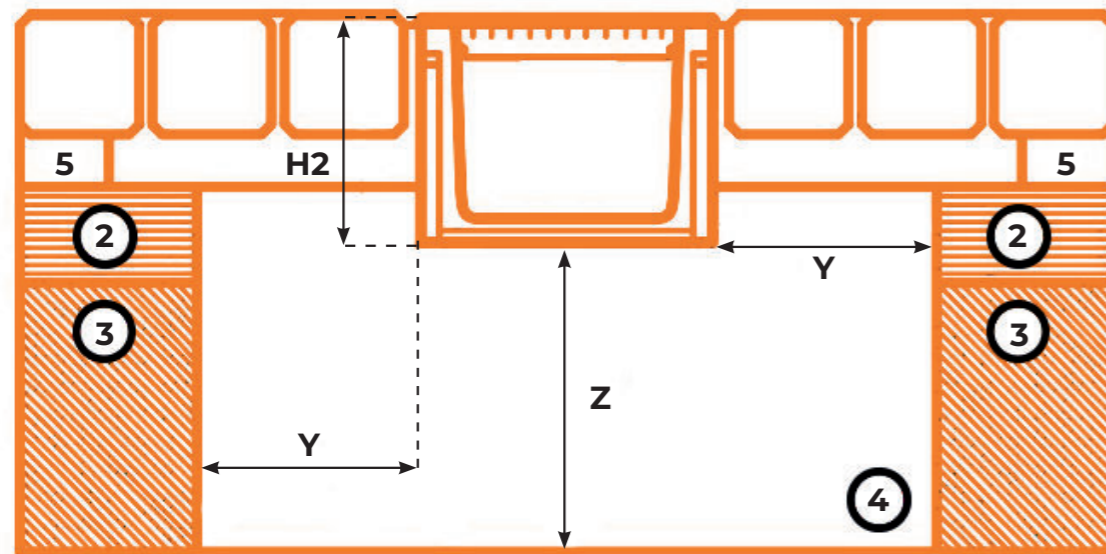
# Pegasus - Installation Guide

**\*Disclaimer\***

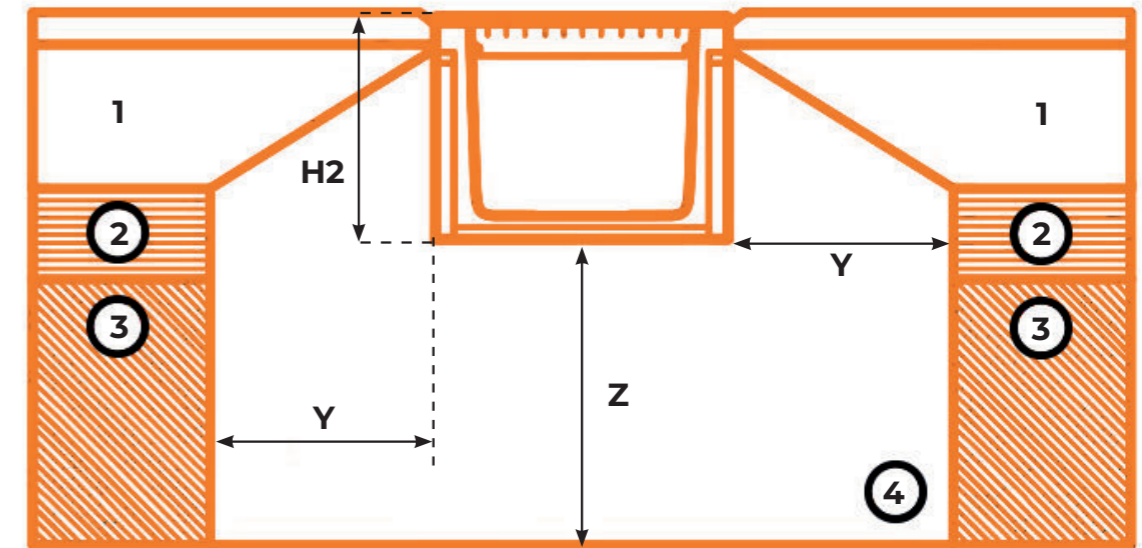
Please ensure that the ground and surrounding areas are in a suitable condition as this can affect the installation process. The dimensions shown are the minimum requirement for installation to be successful. Engineering advice should be taken when necessary. Should you need to speak to our technical team, you can contact us via email - [sales@polychannel.co.uk](mailto:sales@polychannel.co.uk) or call us on **0115 648 2674**.

<b>1</b>	<b>2</b>	<b>3</b>	<b>4</b>	<b>5</b>	<b>6</b>
Concrete	Sub Base	Earth	Concrete Haunch	Sand Layer	Expansion Joint

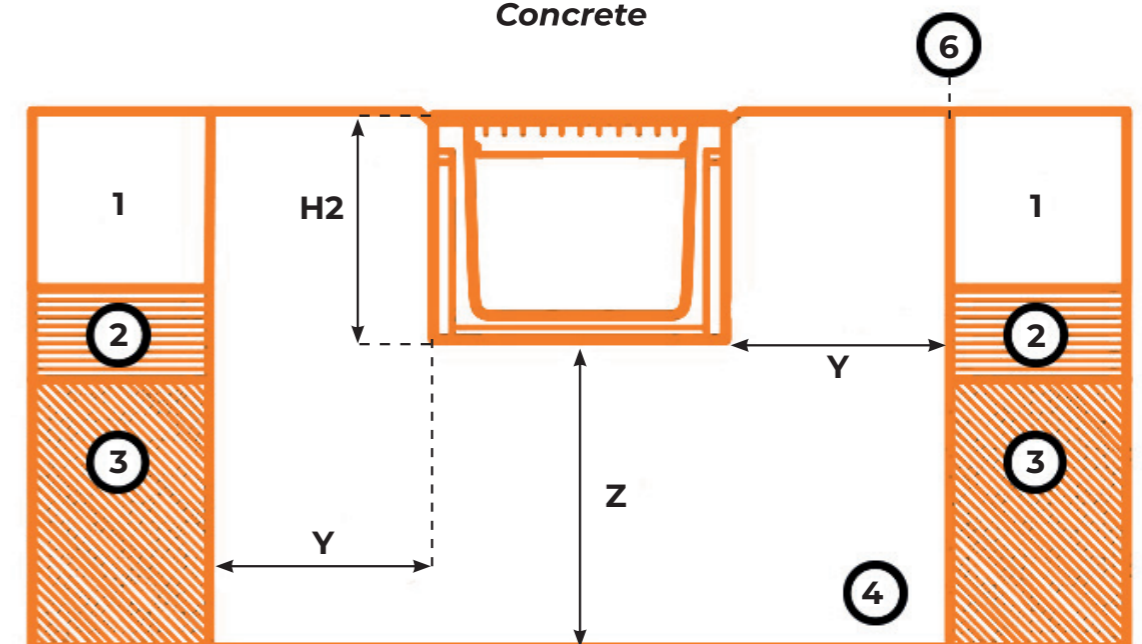
**Block Paving**



**Tarmac**



**Concrete**



<b>Load Class</b>	<b>A15</b>
<b>H2 - Channel Height</b>	<b>Channel Height</b>
<b>Y - Minimum Surround</b>	<b>100mm</b>
<b>Z - Minimum Surround</b>	<b>100mm</b>
<b>T1 - Minimum Depth</b>	<b>40mm</b>
<b>T2 - Maximum Depth</b>	<b>95mm</b>

\*\* Minimum Concrete Haunch 25 N/mm<sup>2</sup>.  
Detail A allow for overbuild of 3mm to 5mm above the grating surfaces.