

# Lite Prem - Installation Guide

**\*Disclaimer\***

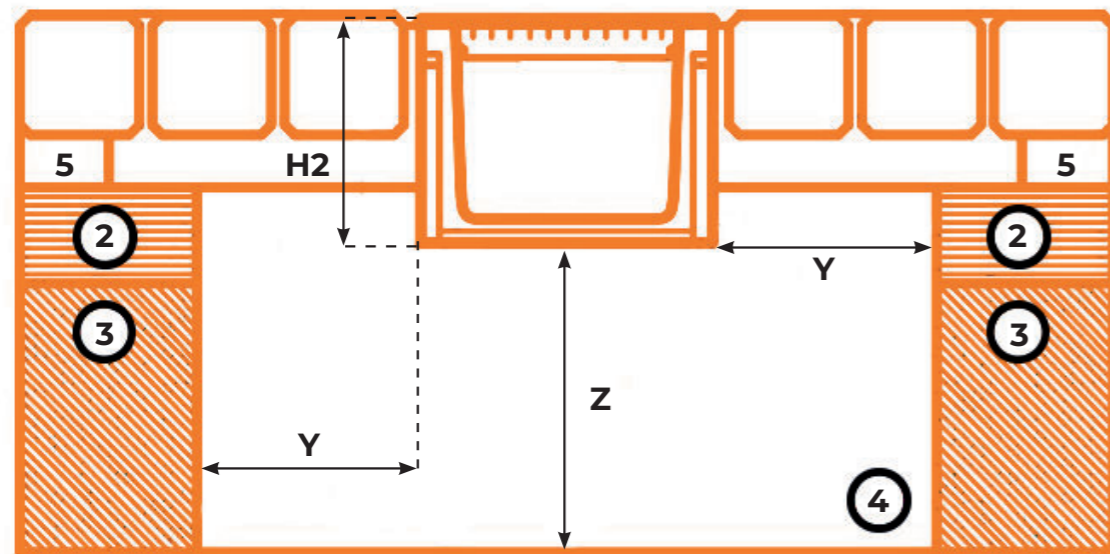
Please ensure that the ground and surrounding areas are in a suitable condition as this can effective the installation process. The dimensions shown are the minimum requirement for installation to be successful. Engineering advice should be taken when necessary.

Should you need to speak to our technical team, you can contact us via email -

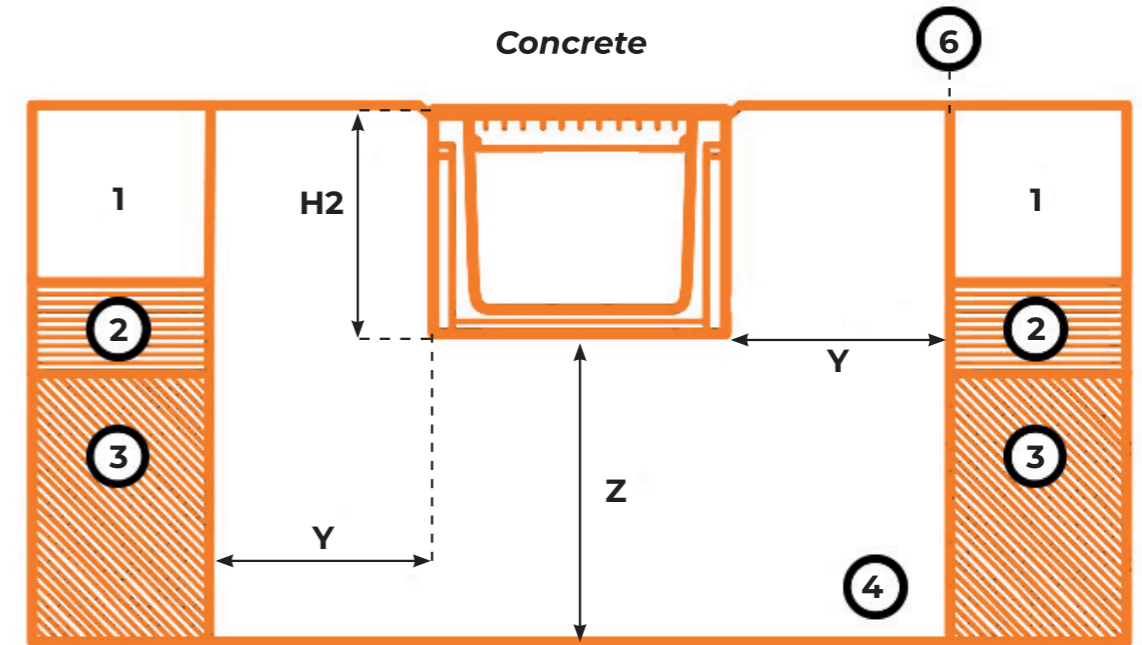
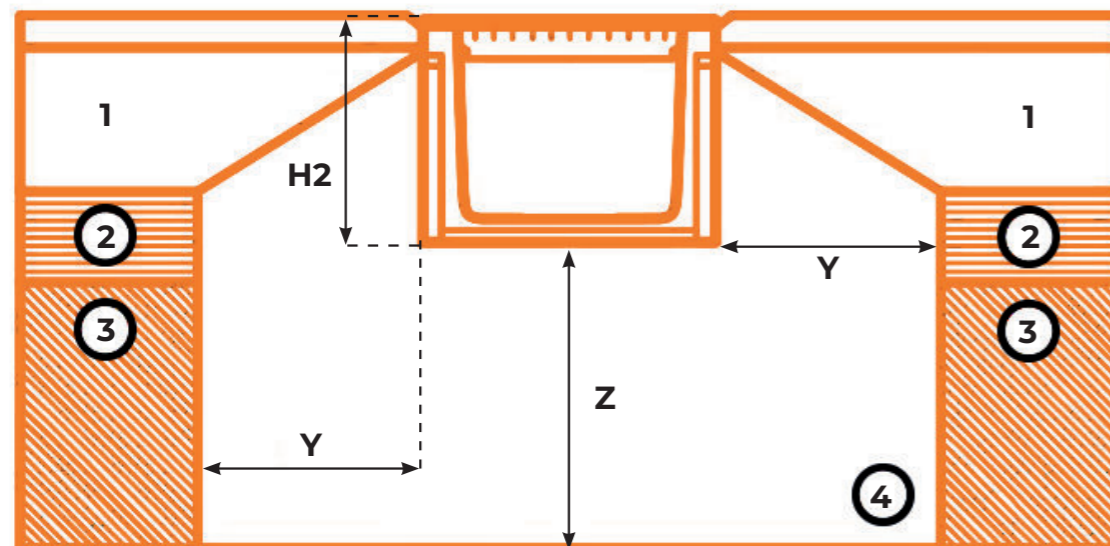
[sales@polychannel.co.uk](mailto:sales@polychannel.co.uk) or call us on **0115 648 2674**.



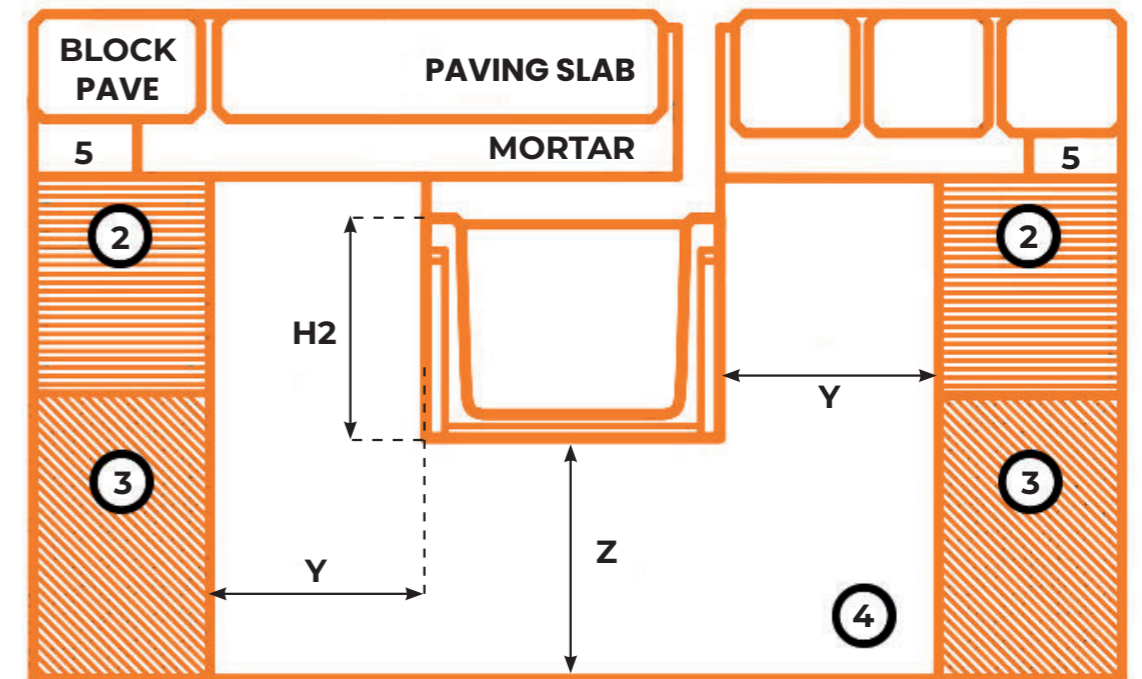
**Block Paving**



**Tarmac**



**Paveslot**



Load Class	A15	B125	C250
H2 - Channel Height	Channel Height	Channel Height	Channel Height
Y - Minimum Surround	100mm	150mm	150mm
Z - Minimum Surround	100mm	150mm	150mm
T1 - Minimum Depth	40mm	40mm	40mm
T2 - Maximum Depth	95mm	55mm	55mm

\*\* Minimum Concrete Haunch 25 N/mm<sup>2</sup>.

Detail A allow for overbuild of 3mm to 5mm above the grating surfaces.